

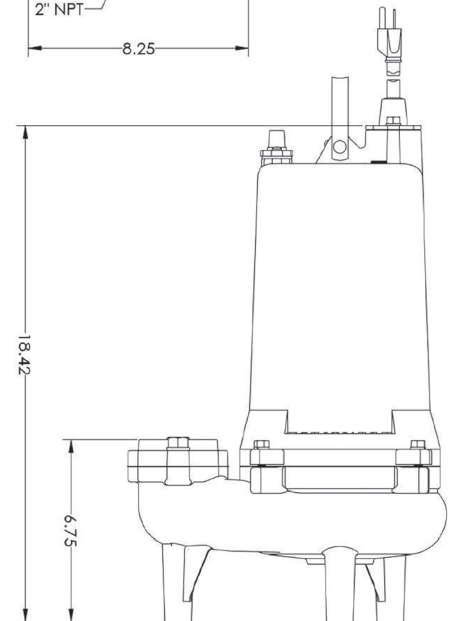
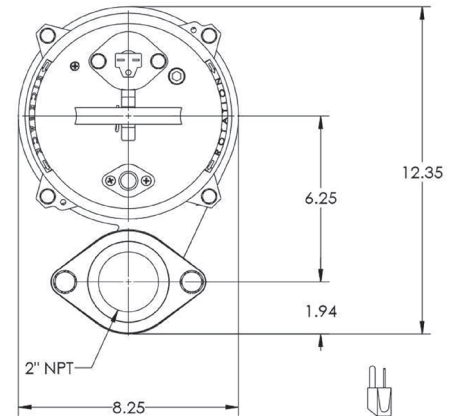
SUBMITTAL DATA SHEET

Wastewater Pumps 1/2 - 2 HP Sewage Pumps

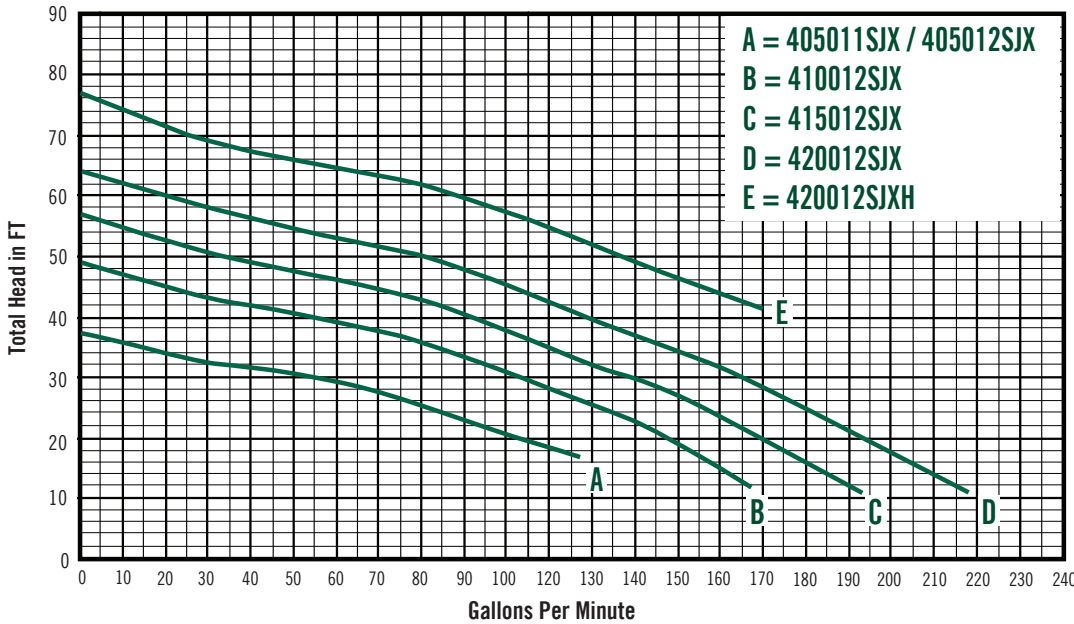


A.Y. McDonald's 1/2 - 2 HP Sewage Pumps are cast iron pumps that handle up to 2" solids with 2" or 3" discharge. Ideal for use in residential developments, wastewater transfer, hospitals, motels, apartments, schools, churches, universities, campgrounds, office complexes, septic systems for applications.

Model	HP	Volts	Phase	AMPS	Cord Length	Wt.	Switch
405011SJX	1/2	115	1	14.5	20'	80	Manual (Automatic)
405012SJX	1/2	208/230	1	8.1/7.3	20'	80	Manual (Automatic)
410012SJX	1	208/230	1	13.9/12.6	20'	85	Manual (Automatic)
415012SJX	1 1/2	208/230	1	14.7/13.3	20'	85	Manual (Automatic)
420012SJX	2	230	1	18	20'	85	Manual (Automatic)
420012SJXH	2	230	1	18	20'	85	Manual (Automatic)



Performance Curve



NO-LEAD: The weighted average of the wetted surface of this no-lead product contacted by consumable water contains less than one quarter of one percent (0.25%) lead.



A.Y. McDonald Mfg. Co.
P.O. Box 508
Dubuque, IA 52004-0508

Toll Free: 1-800-292-2737
Fax: 1-800-832-9296
Hours: 7:00 a.m. - 5:00 p.m., CST

sales@aymcdonald.com
www.aymcdonald.com

A.Y. McDonald considers the information on this assembly drawing correct when published. Item and option availability, including specifications, are subject to change without notice.

Submitted by:

SUBMITTAL DATA SHEET

Wastewater Pumps
1/2 - 2 HP Sewage Pumps



Performance

- Heads up to 77' TDH
- Flows up to 215 GPM

Oil Filled High Efficient Motor with Upper & Lower Ball Bearings

- Maximum motor cooling
- Runs cooler and lasts longer
- Internal overload protection

Warranty

- 3 Years from date of manufacture

Optional Double Seal Design with Seal Failure

Ductile Iron Impeller

- Vortex Passes 2" Solids

Quick Disconnect Power Cord and Seal Failure Cord Optional

- Prevents water from entering the motor housing
- Easy to replace
- Available in lengths up to 100'

Piggy back Switch Design

Piggy-back switch design

- Defective switches can be diagnosed over the phone
- Pump can be operated manually by overriding the switch

Easy to Install, Quick Delivery

Technical Data

Discharge	2" NPT. vertical standard
Solids Handling	2"
Liquid Temperature	140°F (Intermittent)
Motor Housing	Cast Iron
Volute	Cast Iron
Seal Plate	Cast Iron
Impeller	Ductile Iron
Shaft	416 Stainless Steel
Shaft Seal (Single Seal)	Carbon - Ceramic/ Buna-N-Elastomer 300 Series Stainless Steel - Hardware
Shaft Seal (Double Seal)	Tandem Double Mechanical Upper & Lower/ Carbon-Ceramic Buna-N-Elastomer 300 Series Stainless Steel - Hardware
Bearings (Upper & Lower)	Single row, ball, oil lubricated
Hardware	300 Series stainless steel
O-rings	Buna-N
Cord	20' Length standard. Up to 100' available.
Motor (Single Phase)	3450 RPM. 60 Hz Includes Overload Protect on in the Motor. Oil Filled, Class F, PSC Permanent Split Capacitor
Motor (Three Phase)	3450 RPM. 60 Hz, Oil Filled, Requires Overload Protect on to be Included in Control Panel

NO-LEAD: The weighted average of the wetted surface of this no-lead product contacted by consumable water contains less than one quarter of one percent (0.25%) lead.



A.Y. McDonald Mfg. Co.
P.O. Box 508
Dubuque, IA 52004-0508

Toll Free: 1-800-292-2737
Fax: 1-800-832-9296
Hours: 7:00 a.m. - 5:00 p.m., CST

sales@aymcdonald.com
www.aymcdonald.com

A.Y. McDonald considers the information on this assembly drawing correct when published. Item and option availability, including specifications, are subject to change without notice.

Submitted by: